



Specifications:

Why use HAPAM disconnectors?

- More than 75 years of experience
- Durable and reliable design
- Over 120.000 disconnectors and earthing switches are in service in more than 100 countries throughout the world
- Virtually maintenance free

General

The horizontal break knee type disconnector consists of three poles. Each pole consists of a base, one rotating insulator and two support insulators on which the main blade is mounted.

Base

The base is made of steel plates on which the insulators are mounted. The individual bases are connected by means of a tie rod. All steel parts of the disconnector are hot-dip galvanized.

Insulators

The disconnectors can be equipped with insulators in accordance with IEC, ANSI or DIN specifications.

Main blade

The main blade is made of 2 aluminium tubes with a hinge in the middle and have silver-plated copper contacts at the jaw end. During closing of the disconnector, the main blade make a horizontal stretching movement. Full contact pressure of the main contacts is achieved by full stretching of the main blade.

- The main contacts are of the "reverse-loop" design, which makes them suitable for very high short circuit currents.
- All contacts are made of silver-plated copper and are equipped with stainless steel springs to ensure reliable contact pressure.
- The main terminals are made of flat aluminium and can be drilled as per request.
- Depending on the voltage rating, anti-corona shields will be provided.

Earthing switch

Hapam disconnectors may be equipped with earthing switches, which can be built-on to the right hand side and/or to the left hand side. The earthing switch consists of an aluminium tube, provided with silver-plated contacts at both ends.

Drive mechanism

The disconnectors and/or earthing switches can be single-pole or three-pole operated by means of a motor-operated drive mechanism or a manual-operated drive mechanism. In case only one drive mechanism is used for three-pole operation, the poles are interconnected by means of adjustable coupling rods. The drive mechanism also houses the auxiliary contacts for position indication.

Testing

The disconnectors and earthing switches are designed and tested in accordance with latest IEC specifications. Hapam maintains a quality assurance system according to ISO 9001, certified by DNV GL (previously known as KEMA).

Installation

The disconnectors and earthing switches are pre-assembled and adjusted in our works as complete as possible. The construction is designed so that all disconnectors can be installed and adjusted at site very easily, without the need of any special tools. Hapam provides clear installation instructions and assembly drawings.

Maintenance

The disconnectors and earthing switches supplied by Hapam are designed so as to ensure that they are virtually maintenance free. However, to warrant a long and trouble-free service period, we advise that a visual inspection of the contacts and bearing points be carried out at regular intervals.

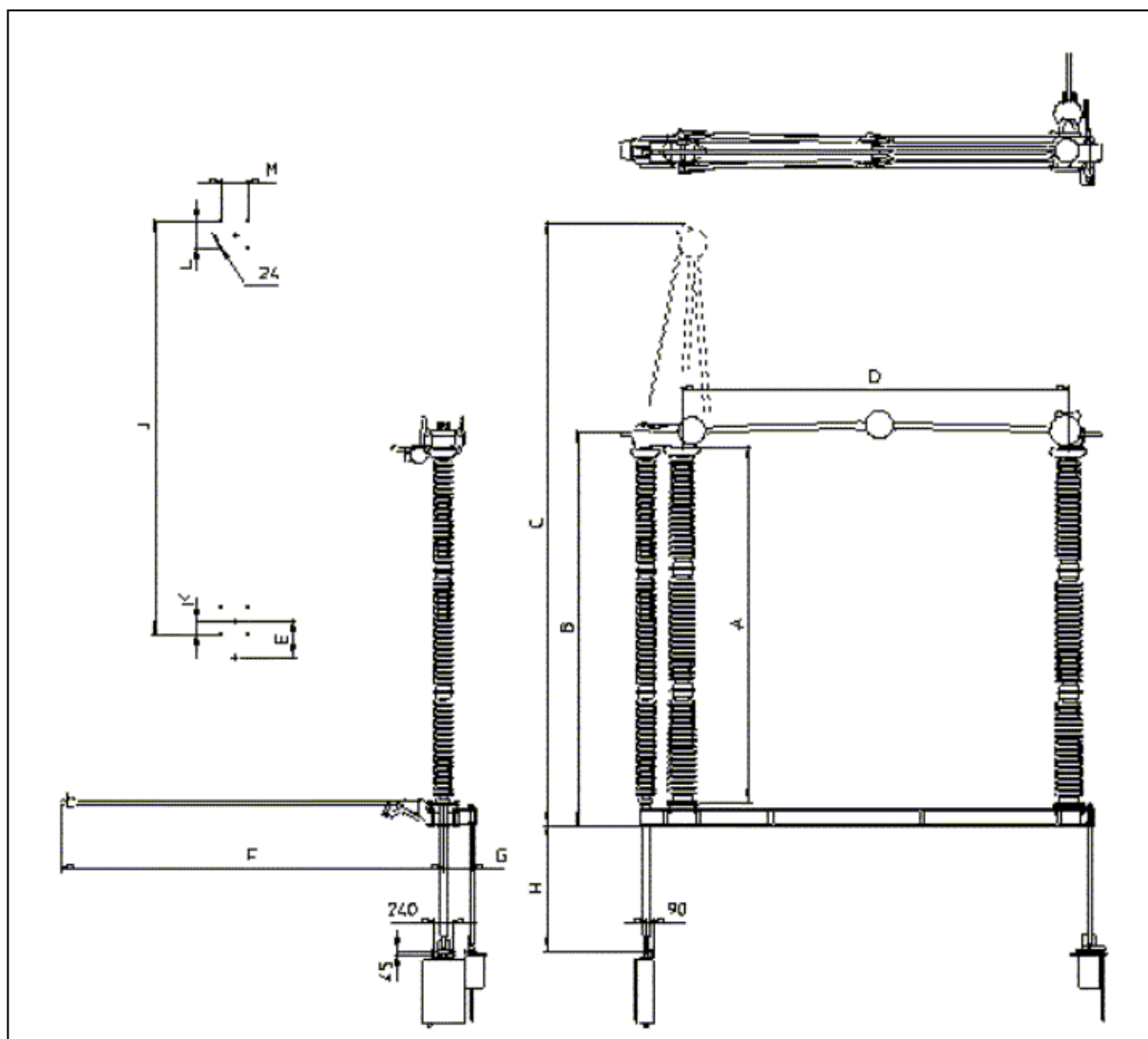
Technical Data:

Rated Voltage		245	300	362	420	550	800
Lightning Impulse Withstand Voltage							
- to earth	kV	1050	1050	1175	1425	1550	2100
- across the isolating distance	kV	1200	1050	1175	1425	1550	2100
			+170	+205	+240	+315	+455
Power frequency withstand Voltage							
- to earth	kV	460	460	460	520	620	830
- across the isolating distance	kV	530	530	530	610	800	1150
Switching Impulse Withstand Voltage							
- to earth	kV	-	850	950	1050	1175	1425
- across the isolating distance	kV	-	700	800	900	900	1100
			+245	+295	+345	+450	+650
Current and Short circuit ratings		<ul style="list-style-type: none"> • 2000 A - 100 kA peak - 40 kA/3sec. • 3150 A - 125 kA peak - 50 kA/3sec. • 4000 A - 160 kA peak - 63 kA/3sec. • 200 kA peak - 80 kA/1sec. 					

Dimensions (mm)

Voltage (kV)	245	300	362	420	550	800
A	2300	2650	3150	3650	4400	Upon request
B	2685	3035	3345	3845	4595	
C	4385	4985	5335	6100	7280	
D	2600	3000	3500	4000	4800	
F	2645	2995	3790	4640	5040	
G	500	500	335	335	335	
J	2000	2400	3500	4000	4800	
K	300	300	-	-	-	
L	100	100	-	-	-	
M	210	210	-	-	-	

Drawing:



HAPAM B.V.

Voltaweg 30, 3752 LP Bunschoten-Spakenburg
Postbus 133, 3750 GC Bunschoten-Spakenburg
The Netherlands

Tel. 0031 33 2983004

Fax. 0031 33 2983204

E-mail: hapam@hapam.nl

www.hapam.nl